



**CIRCLE  
S  
PRODUCTS, INC.**

**TECHNICAL BULLETIN**

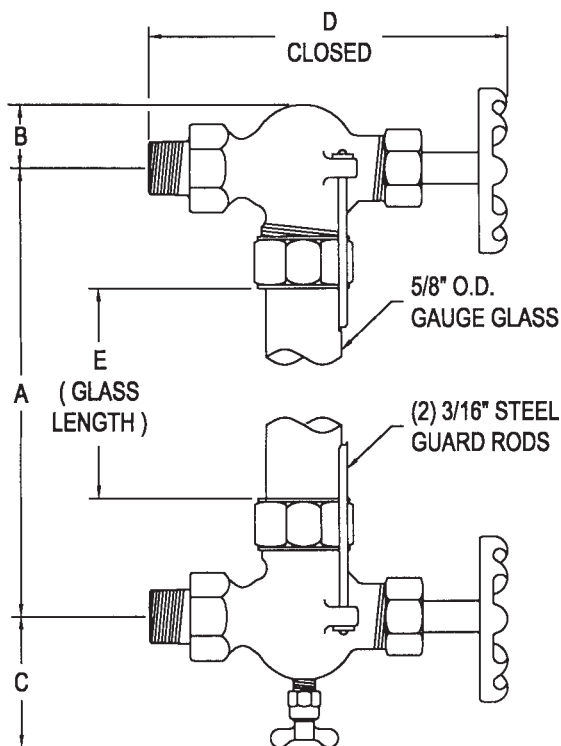
**MODEL:** Liquid Level Gauges

TB No. S5300

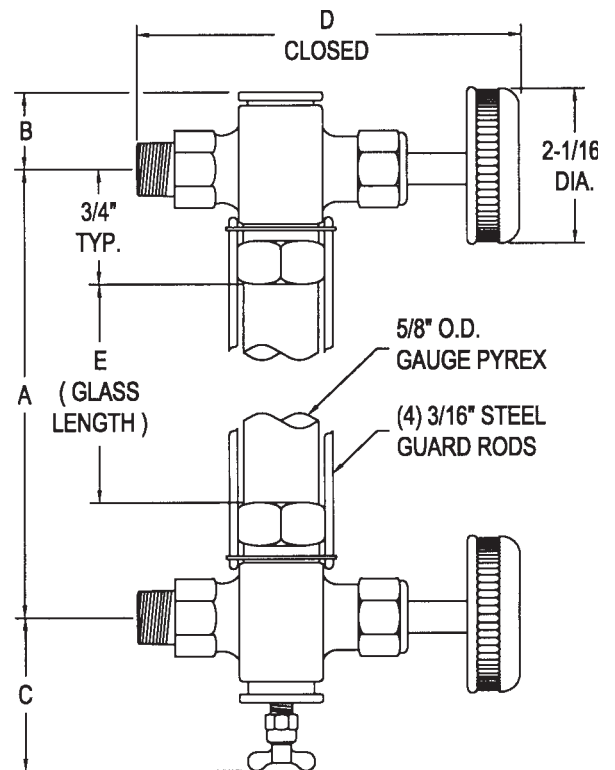
Date 3-01

Quality design which conform to requirements of ASME Boiler Code. Upper and lower valves are equipped with corrosion resistant ball checks which prevent lose of vessel contents in event of glass breakage.

**No. 1  
SELF CLEANING TYPE**



**No. 19-G4  
BALL CHECK TYPE**



**DIMENSIONS AND DATA**

Gauge No.	#1	19-G4
NPT Vessel Connection	1/2"	1/2"
Dimension A	(Specify)	(Specify)
Dimension B	1 1/16"	7/8"
Dimension C	1 3/4"	1 3/8"
Dimension D Closed	4 9/16"	4 7/8"
Dimension E	A - 1 1/2"	A - 1 1/2"
Weight	2 lbs.	4.5 lbs.
Working Rating (PSIG)	0 - 200	0 - 400